

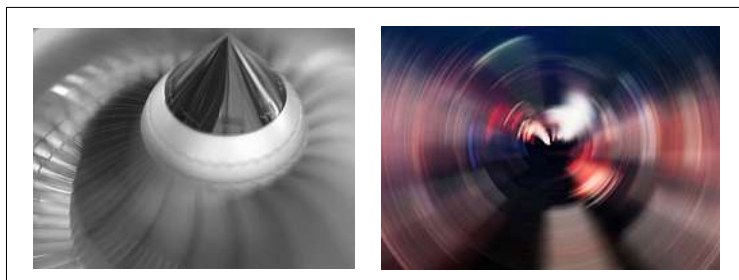
# Tachometers

**New**



## CT 100

CE



### Functions

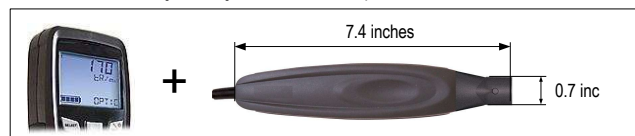
- Rotation speed
- Selection of units
- HOLD function
- Minimum and maximum values
- Choice between optical and contact revolution counter
- Adjustable automatic shut-off
- Adjustable backlight

### Technical features

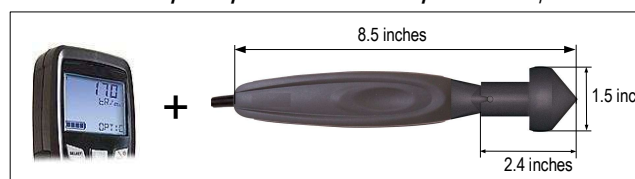
Measuring elements.....	<b>Optical tachometry</b> : optical detection (Phototransistor tip length 40 cm max.)
	<b>Contact tachometry</b> : ETC adaptor for optical tachometry probe.
Display.....	2 lines, LCD technology. Sizes 50 x 34.9 mm. 1 line of 5 digits with 7 segments (value) 1 line of 5 digits with 16 segments (unit)
Housing.....	Shock-proof made of ABS, IP54 protection
Keypad.....	Metal-coated with 5 keys
Cable.....	retractable, length 450 mm, up to 2.4 m when released
Conformity.....	electromagnetical compatibility (NF EN 61326-1 guideline)
Power supply.....	1 alkaline battery 9V 6LR61
Operating temperature.....	from 0 to 50°C
Storage temperature.....	from -20 to +80°C
Auto shut-off.....	adjustable from 0 to 120 min
Weight.....	6.7 oz
Languages.....	English, French



**CT 100 O - Optical probe - Fixed probe**



**CT 100 C - Optical probe with ETC adaptor - Fixed probe**



## Specifications

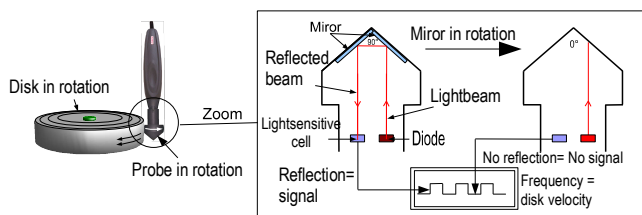
Measuring units	Measuring ranges	Accuracy*	Resolutions
<b>OPTICAL TACHOMETRY</b>			
RPM	from 60 to 10000 RPM from 10001 to 60000 RPM	$\pm 0.3\%$ of reading $\pm 1$ RPM $\pm 30$ RPM	1 RPM
<b>CONTACT TACHOMETRY</b>			
RPM, m/min, ft/min, in/min and m/s	from 30 to 20000 RPMn	$\pm 1\%$ of reading $\pm 1$ RPM	1 RPM

\*All accuracies indicated in this document were stated in laboratory conditions and can be guaranteed for measurements carried out in the same conditions, or carried out with required compensation.

## Working principle

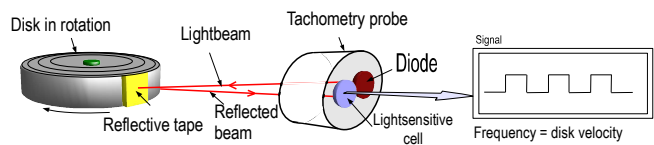
### Contact tachometry

A light beam from a diode is reflected by a rotating mirror located inside the probe head. A light sensitive cell detects the frequency of the signal of the beam which is proportional to the rotation speed.

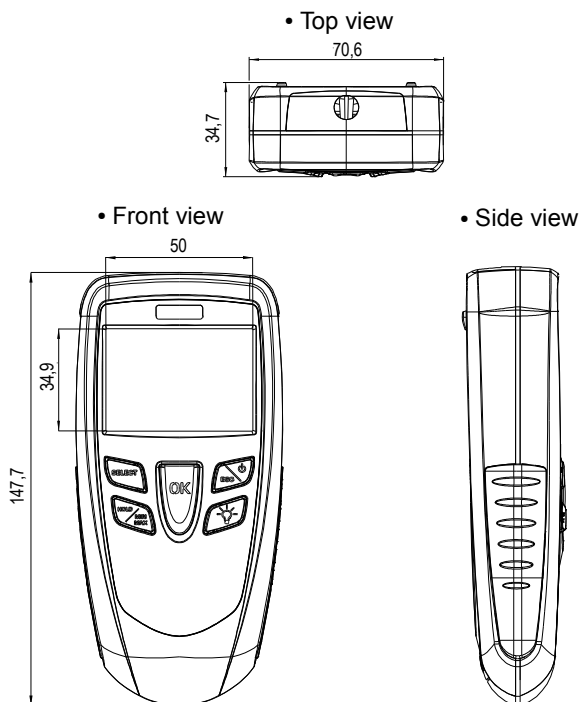


### Optical tachometry

A light beam emitted from the diode the probe is reflected by a reflective tape placed on the rotating disk. A light sensitive cell detects the frequency of the signal of the beam which is proportional to the rotation speed.



## Dimensions



## Supplied with ...

- Included
- Optional



DESCRIPTION	CT 100 O	CT 100 C
Optical tachometry probe Ø 17 mm, length 195 mm	●	●
Contact adaptor fitting optical tachometry probe	○	●
Reflective tape	●	●
Calibration certificate	○	○
Transport case	●	●

## Accessories (See related datasheet)

### CE 100

Protective cover with magnet and holding system

## Warranty period

Instruments have 1-year guarantee for any manufacturing defect (return to our Service Department).



**E Instruments International LLC**  
172 Middletown Blvd - Suite B201  
Langhorne, PA 19047  
Tel.: 215 750 1212  
Fax: 215 750 1399  
E-mail: Info@E-Inst.com  
Web: www.E-Inst.com

Distributed by: