

# AIR QUALITY

## AQ 100

# New

CE



### Functions

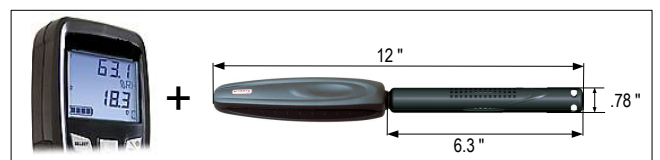
- CO<sub>2</sub> measurement and ambient temperature
- Selection of units
- Minimum and maximum values
- HOLD function
- Adjustable automatic shut-off
- Adjustable backlight

### Technical features

Measuring element.....	CO <sub>2</sub> : Infrared sensor. (Non dispersive- infrared sensor NDIR)
	<b>Ambient temperature</b> : Pt100 class A
Display.....	2 lines, LCD technology. Sizes 50 x 34.9 mm. 1 line of 5 digits with 7 segments (value) 1 line of 5 digits with 16 segments (unit)
Housing.....	Shock-proof made of ABS, IP54 protection
Keypad.....	Metal-coated with 5 keys
Cable	retractable, length 18 inch (450 mm), up to 8 ft (2.4 m) when released
Conformity.....	electromagnetical compatibility (NF EN 61326-1 guideline)
Power supply.....	1 alkaline battery 9V 6LR61 included
Operating temperature.....	from 0 to 122°F
Storage temperature.....	from -4 to +176°F
Auto shut-off.....	adjustable from 0 to 120 min
Weight.....	6.7 oz
Languages.....	English, French



AQ100 - CO<sub>2</sub> / Temperature Probe - Fixed probe



## Specifications

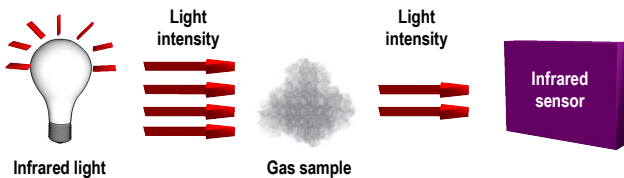
	Measuring units	Measuring ranges	Accuracy*	Resolutions
<b>CO<sub>2</sub></b>				
	ppm	From 0 to 5000 ppm	±3 % of reading ±50 ppm**	1 ppm
<b>AMBIENT TEMPERATURE</b>				
	°F, °C	from -4 to +176°F	±0.4% of reading ±0.3°F	0.1°F/C

\*All accuracies indicated in this document were stated in laboratory conditions and can be guaranteed for measurements carried out in the same conditions, or carried out with required compensation.  
 \*\*the accuracy is expressed either by a deviation in ppm, or by a percentage of the value concerned. Only the bigger value is considered.

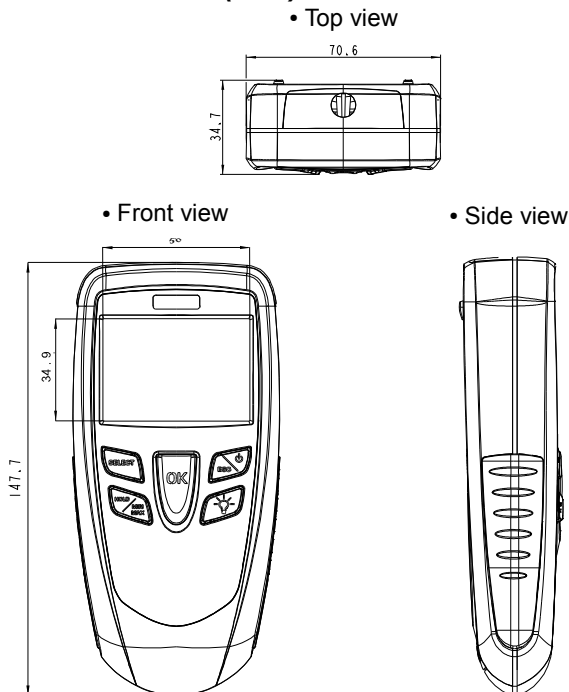
## Working principle

### NDIR - Non dispersive infrared absorbance

A gas absorbs light at a specific wavelength, some of the intensity emitted by the infrared source is absorbed by the gas sample. The amount of light read by the IR sensor is inversely proportional to CO<sub>2</sub> concentration.



## Dimensions (mm)



## Supplied with ...

DESCRIPTION	AQ 100
Hard ABS Case	<input type="radio"/>
Soft Vinyl Case	<input checked="" type="radio"/>

- Included    ○ Optional



## Accessories (See related datasheet)

CE 100	RTS
Protective cover with magnet and holding system	Telescopic extension (for probe), 1m long and bent at 90°.

## Warranty period

Instruments have 1-year guarantee for any manufacturing defect (return to our Service Department)



**E Instruments International LLC**  
 172 Middletown Blvd - Suite B201  
 Langhorne, PA 19047  
 Tel.: 215 750 1212  
 Fax: 215 750 1399  
 E-mail: Info@E-Inst.com  
 Web: www.E-Inst.com

Distributed by: